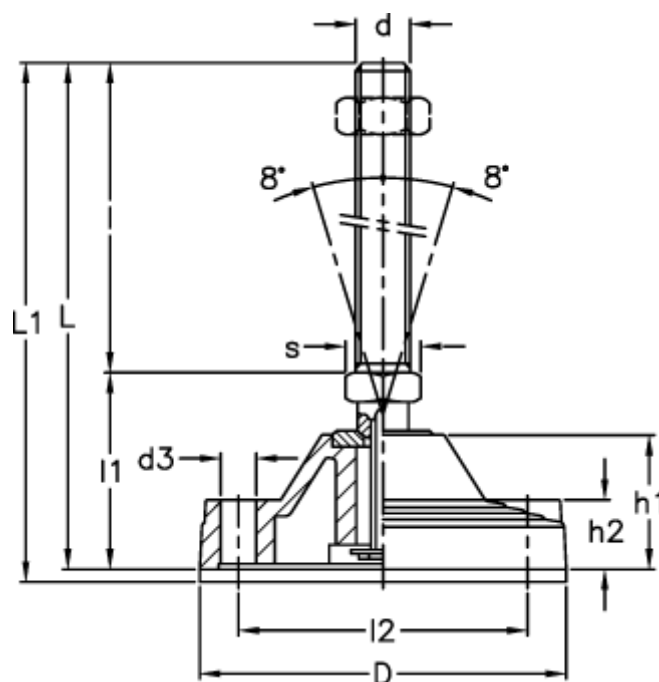


Article number: 2310316945

Description: E+G Levelling element w/no-slip disc  
LV.F-125-ACV-AS-M30x186

## Measures



d = M30	L1	= 260
D = 125	l2	= 95
d3 = 12.5	Max load (N)	= 40000
h1 = 45	s	= 30
h2 = 23		
l = 186		
L = 250		
l1 = 64		